

# Endurance®

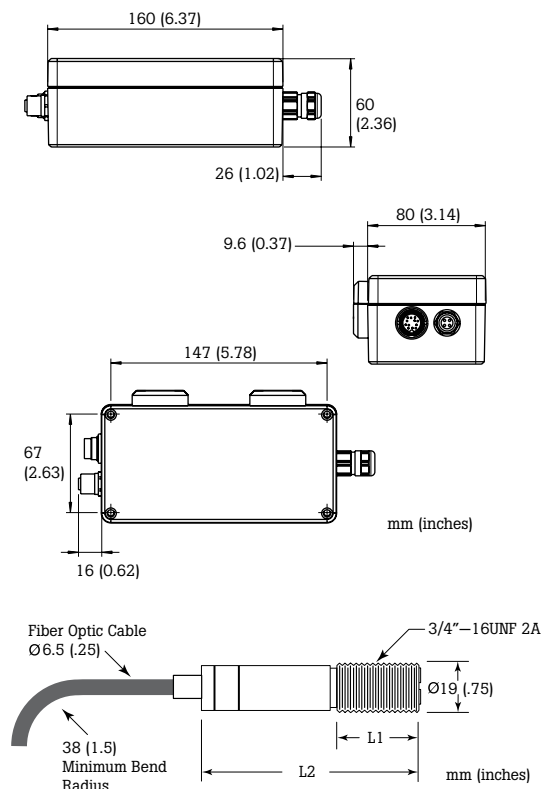
## Fiber-Optic Datasheet



### Highlights

- Rugged non-contact fiber-optic pyrometer measurement systems
- 4 year warranty
- Wide temperature range: 250 to 3200 °C (482 to 5792 °F)
- Multiple fixed focus lens options for different mounting distances
- Sighting options: Laser aiming
- Superior optical resolution to 100:1
- LAN/Ethernet interface with PoE for communication with the sensor (ASCII and Webserver)
- Profinet interface option
- Programmable relay output
- Fail safe alarm
- Isolated analog input/output
- Rugged electronics box housing, IP65 (NEMA-4) rated
- Endurance software for remote configuration, remote monitoring and field calibration
- Single color and two colors models

### Dimensions



Model	L1	L2
EF1ML, EF1MM, EF1MH, EF2ML, EF2MH	25 mm (1")	62mm (2.46")
EF1RL, EF2RL, EF2RH	28 mm (1.1")	69 mm (2.7")
EF1RM, EF1RH	36 mm (1.4")	79 mm (3.1")

### Electrical Specifications

<b>Inputs</b>	Contact input (peak/valley reset, laser), Analog input 0/4-20mA (emissivity, e-slope, background temperature)
<b>Outputs</b>	Ethernet, Profinet, 0/4-20 mA, max. load: 500 Ω*, RS485 2/4 wire half duplex, networkable relay, 48 V, 300 mA
<b>Power Supply</b>	20 to 48 VDC, 500 mA Power over Ethernet (PoE)

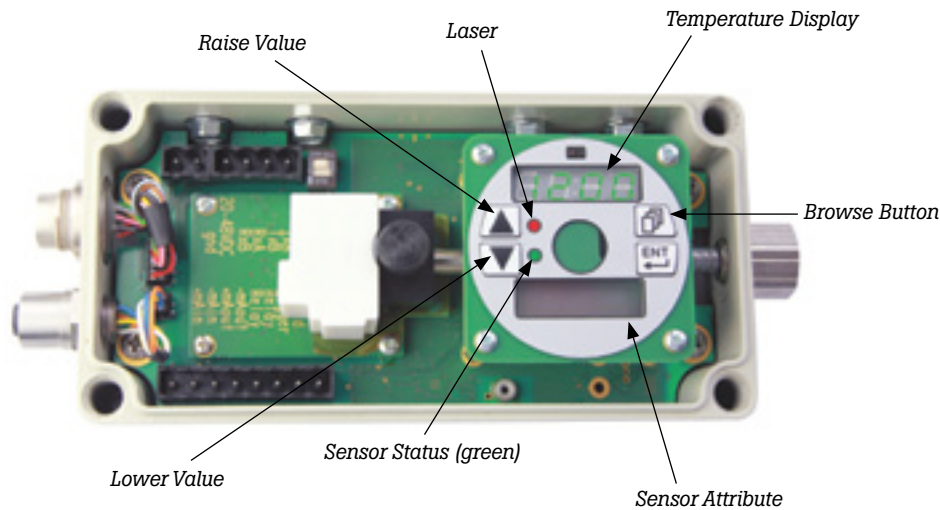
### General Specifications

<b>Environmental Rating</b>	IP65 (IEC529) / NEMA-4
<b>Ambient Temperature</b>	Electronics housing 0 to 60 °C (32 to 140 °F) with water cooling 0 to 150 °C (32 to 302 °F) 2 liter (0.5 gal) per minute 16 °C (62 °F)
<b>Fiber cable/Optical head</b>	0 to 200 °C (32 to 392 °F); standard temperature rating 0 to 315°C (32 to 600°F); high temperature option
<b>Cable Protection</b>	Rated up to 200 °C (392 °F); stainless steel armor; PTFE coating, rubber "boot", and IP65 (IEC529) NEMA-4 (not available on high temperature cable); provision for conduit to protect fiber cable
<b>Air purge</b>	0.5 to 1.5l/sec (1-3 CFM)
<b>Storage Temperature</b>	Electronics housing -20 to 70 °C (-4 to 158 °F)
<b>Relative Humidity</b>	10 to 95%, non-condensing
<b>Shock</b>	Electronics housing IEC 68-2-27
<b>Vibration</b>	Electronics housing IEC 68-2-6

<b>Weight</b>	Electronics housing 0.71 kg (25 oz)
	Optical head 0.10 kg (3 oz)

\*Note: RS485 4 wire only available when "Inside connector option" electronics box is used

## User Interface



## Measurement Specifications

	EF1R	EF2R	EF1M	EF2M
<b>Temperature Range and Optical Resolution</b> <small>(see table below for minimum spot sizes)</small>	<b>EF1RL</b> 500 to 1100 °C (932 to 2012 °F) 20:1	<b>EF2RL</b> 275 to 1000 °C (527 to 1832 °F) 20:1	<b>EF1ML</b> 475 to 900 °C (887 to 1652 °F) 20:1	<b>EF2ML</b> 250 to 800 °C (482 to 1472 °F) 20:1
	<b>EF1RM</b> 700 to 1500 °C (1292 to 2732 °F) 40:1		<b>EF1MM</b> 800 to 1900 °C (1472 to 3452 °F) 100:1	
	<b>EF1RH</b> 1000 to 3200 °C (1832 to 5792 °F) 65:1	<b>EF2RH</b> 350 to 1300 °C (662 to 2372 °F) 40:1	<b>EF1MH</b> 1200 to 3000 °C (2192 to 5432 °F) 100:1	<b>EF2MH</b> 400 to 1700 °C (752 to 3092 °F) 40:1
<b>Spectral Response</b>	<b>EF1R</b> 1.0 μm nominal one/two color	<b>EF2R</b> 1.6 μm nominal one/two color	<b>EF1M</b> 1.0 μm nominal single color	<b>EF2M</b> 1.6 μm nominal single color
<b>Sighting</b>	Laser Optional			
<b>Accuracy</b>	<b>EF1R / EF2R</b> ±(0.3% T <sub>meas.</sub> +2°C) with no attenuation		<b>EF1M / EF2M</b> ±(0.3% T <sub>meas.</sub> +2°C)	
<b>Repeatability</b>	±1°C			
<b>Temperature Resolution</b>	±0.1°C			
<b>Response Time</b>	10 ms (95%)	20 ms (95%)	10 ms (95%)	10 ms (95%)
<b>Emissivity</b>	0.100 to 1.150			
<b>E-Slope or Emissivity</b>	<b>EF1R</b> 0.850 to 1.150	<b>EF2R</b> 0.850 to 1.150	<b>EF1M</b> 0.100 to 1.150	<b>EF2M</b> 0.100 to 1.150
<b>Signal Processing</b>	Peak Hold, Decay Rate, Averaging			

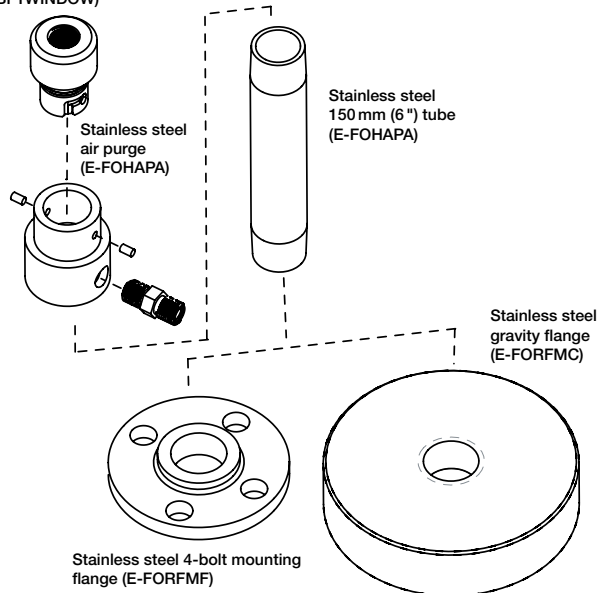
<b>Lens Options</b> <small>(All lenses fixed focus)</small>	F0	F1	F2
<b>20:1</b>	5 mm (0.19") @ 100 mm (3.9")	15 mm (0.06") @ 300 mm (11.8")	250 mm (9.8") @ 5000 mm (196")
<b>40:1</b>	2.5 mm (0.09") @ 100 mm (3.9")	7.5 mm (0.29") @ 300 mm (11.8")	125 mm (4.9") @ 5000 mm (196")
<b>65:1</b>	1.5 mm (0.05") @ 100 mm (3.9")	4.5 mm (0.17") @ 300 mm (11.8")	77 mm (3.03") @ 5000 mm (196")
<b>100:1</b>	1 mm (0.04") @ 100 mm (3.9")	3 mm (0.11") @ 300 mm (11.8")	50 mm (1.9") @ 5000 mm (196")

## Accessories

Additional accessories are available as shown below (refer to the Endurance Accessory datasheet).

- Adjustable bracket (**E-FOMB**)
- Air purge collar and stainless steel sighting tube, 150mm (6in.) long, 25mm (1in.) diameter. (**E-FOHAPA**)
- Rooftop Mounting/Purging available with flange or gravity-held base (**E-FORFMC**) and quick-release fitting for optical head, sapphire window, stainless steel pipe-cap or flanged mounting base. (**E-FORFMF**)
- Aiming-light (battery powered) for fiber-optic front end (ships standard with all units). This is best suited for "L" range models. Includes adapter to fiber cable (**E-FAFAL**)
- Rugged fiber-optic roof mount air purge, with quick-release fitting and sapphire window (**E-FORFQP**)
- Rugged fiber-optic roof mount air purge, with quick-release fitting, sapphire window and 150mm stainless steel sight tube (**E-FORFAP**)
- Protective Sapphire window mounted in stainless steel bezel (**E-BF1WINDOW**)
- High temperature fiber-optic housing with air-knife purge and sapphire protective window, 3 meter air/protection hose. For extreme environments. Ambient Temperature  $\leq 450\text{ }^{\circ}\text{C}$  (842  $^{\circ}\text{F}$ ) (**E-FOXH3**)
- High temperature fiber-optic housing with air-knife purge and sapphire protective window, 6M air/protection hose. For extreme environments. Ambient Temperature  $\leq 450\text{ }^{\circ}\text{C}$  (842  $^{\circ}\text{F}$ ) (**E-FOXH6**)
- Electronics box cooling plate for ambient applications up to 150  $^{\circ}\text{C}$  (300  $^{\circ}\text{F}$ ) (**E-CP**)
- Terminal block (**E-TB**)
- Switching power supply 24 VDC 1.3 A industrial power supply, DIN rail mount (**E-SYSPS**)
- Switching power supply in NEMA-4 enclosure 100 / 240 VAC 24 VDC, 1.1 A (**E-PS**)
- Power over Ethernet (PoE) Injector provides power and acts as a single Ethernet hub (100/240 VAC input) (**E-PoE**)
- USB/RS485 Converter (**E-USB485**)

Stainless steel quick disconnect and sapphire protective window (**E-BF1WINDOW**)



## The Fluke Process Instruments Guarantee

The Endurance Series is supported by a 4 year warranty. With a network of trained representatives and agents in over one hundred countries and offices located in the U.S., Germany and China, we provide local service and support you can rely on time after time.

## Fluke Process Instruments

### Americas

Santa Cruz, CA USA  
Tel: +1 800 227 8074 (USA and Canada, only)  
+1 831 458 3900  
[solutions@flukeprocessinstruments.com](mailto:solutions@flukeprocessinstruments.com)

### EMEA

Berlin, Germany  
Tel: +49 30 4 78 00 80  
[info@flukeprocessinstruments.de](mailto:info@flukeprocessinstruments.de)

### China

Beijing, China  
Tel: +8610 6438 4691  
[info@flukeprocessinstruments.cn](mailto:info@flukeprocessinstruments.cn)

### Japan

Tokyo, Japan  
Tel: +81 03 6714 3114  
[info@flukeprocessinstruments.jp](mailto:info@flukeprocessinstruments.jp)

### Asia East and South

India Tel: +91 22 62495028  
Singapore Tel: +65 6799 5578  
[sales.asia@flukeprocessinstruments.com](mailto:sales.asia@flukeprocessinstruments.com)

### Worldwide Service

Fluke Process Instruments offers services, including repair and calibration. For more information, contact your local office.

[www.flukeprocessinstruments.com](http://www.flukeprocessinstruments.com)

© 2017 Fluke Process Instruments  
Specifications subject to change without notice.  
7/2017 6009689A